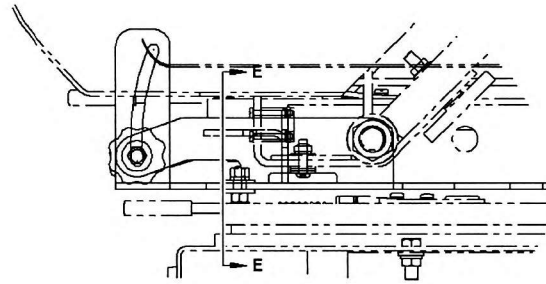
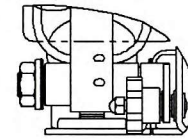


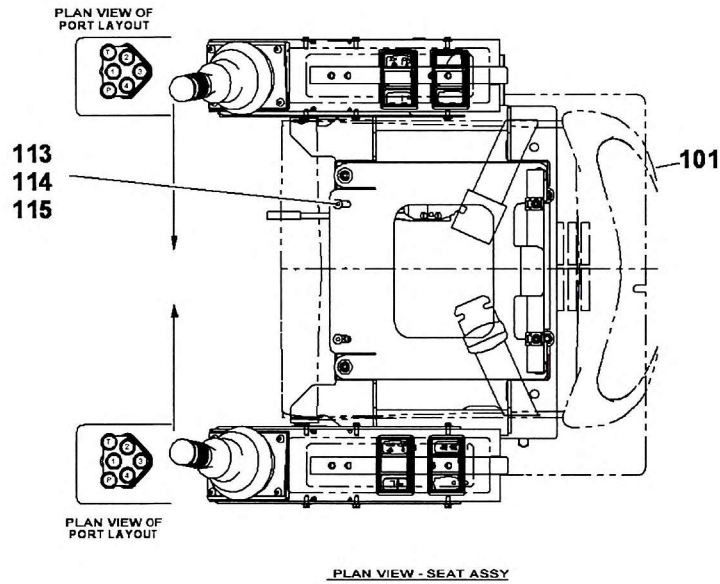
SECTION B-B



VIEW C-C



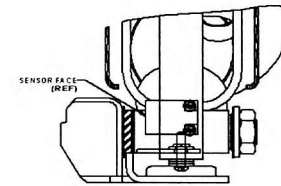
DETAIL D



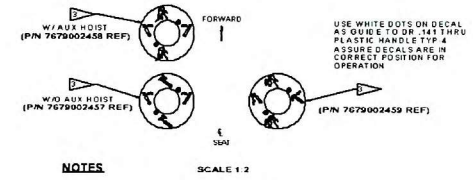
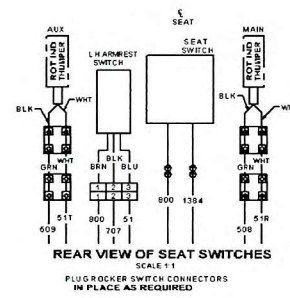
PLAN VIEW - SEAT ASSY



SECTION F-F



SECTION E-E



- ▶ UTILIZE MAGNET MOUNTING SCREW (ITEM #13) TO RETAIN PROXIMITY SWITCH GUARD PLATE (ITEM #8) AS SHOWN. ORIENT RADIIUS TOWARD CAB SEAT (TOWARD THE FRONT). ADJUST PLATE SING AGAINST ARM REST PIVOT BUSHING, AS SHOWN.
- ▶ LOCATE CONNECTOR LOCKING TAB REARWARD
- ▶ ITEM TO BE SUPPLIED W/ DECAL KIT

